

CRT81

Spare parts

Ersatzteile

Pièces détachées

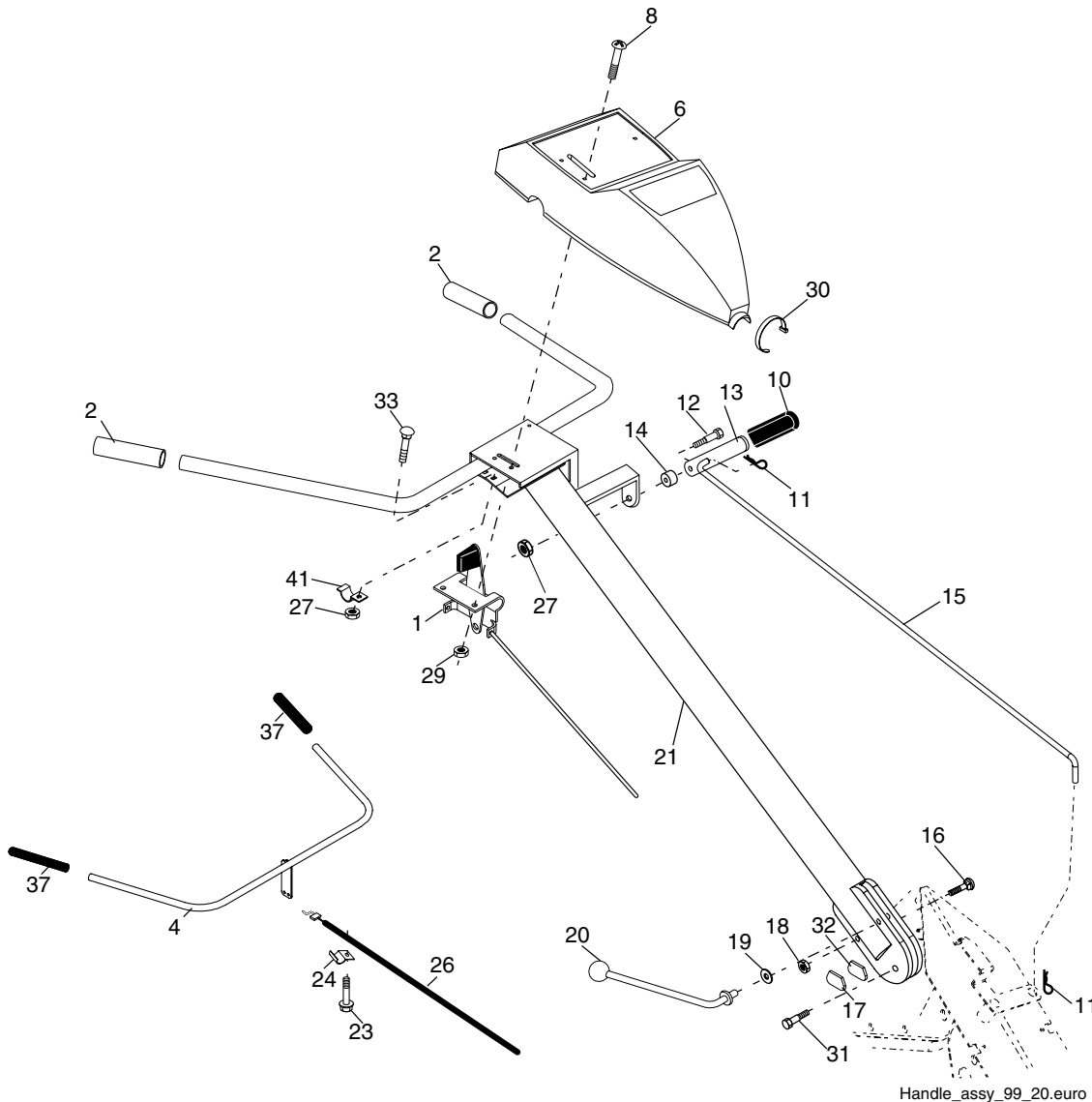
Reserve onderdelen

Repuestos

Reservdelar

REPAIR PARTS

TILLER - - MODEL NUMBER CRT81 (96091000300), PRODUCT NO. 954 17 00-54 HANDLE ASSEMBLY



Handle_assy_99_20.euro

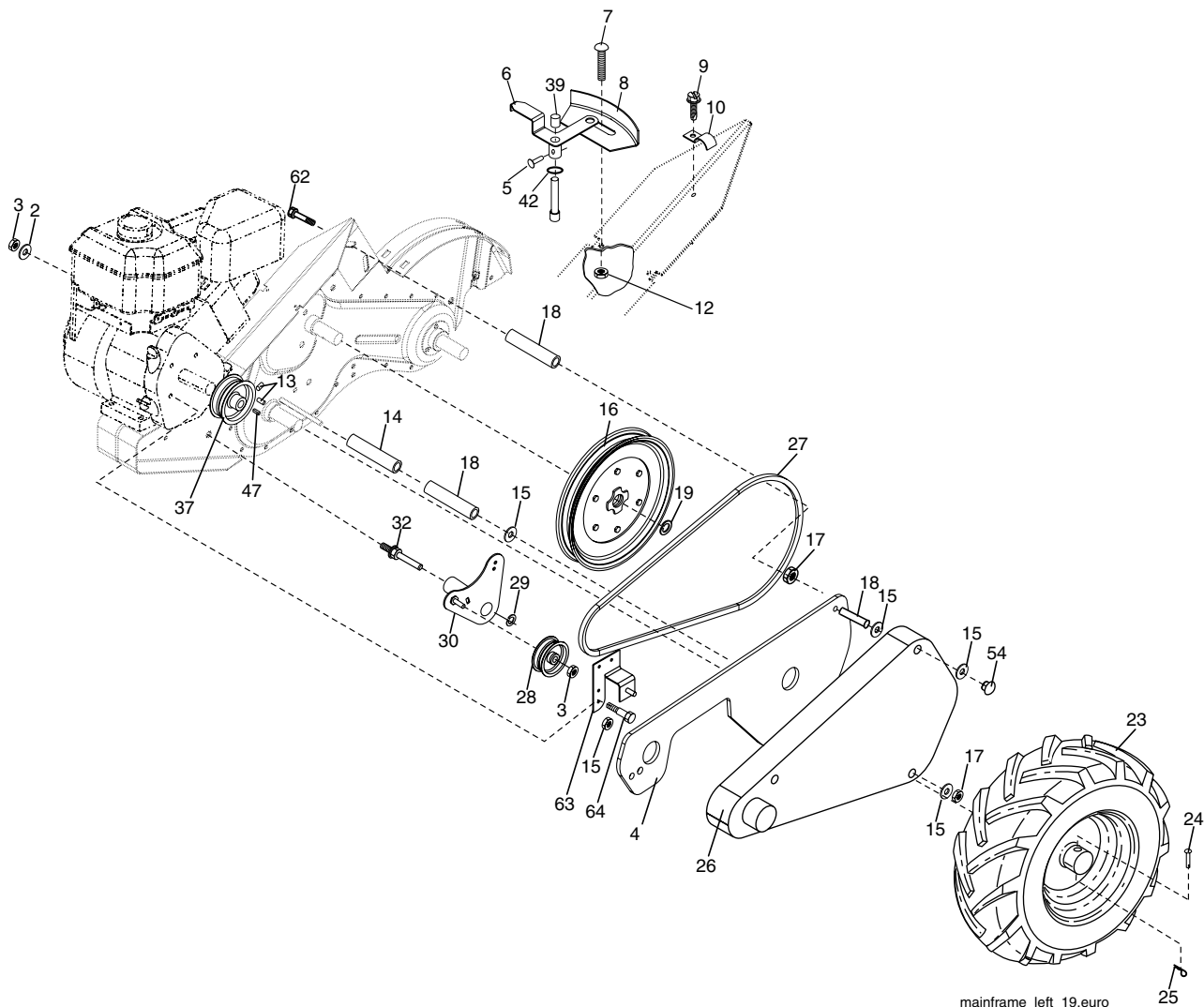
| KEY NO. | PART NO. | DESCRIPTION |
|---------|--------------|-----------------------------------|
| 1 | 532 18 06-38 | Control, Throttle |
| 2 | 532 00 92-66 | Grip, Handle |
| 4 | 532 15 92-28 | Bar Assembly, Control |
| 6 | 532 18 06-76 | Panel, Control |
| 8 | 871 19 10-08 | Screw, Truss Hd. #10-24 unc x 1/2 |
| 10 | 532 12 47-97 | Grip, Handle |
| 11 | 532 12 47-88 | Clip, Hairpin |
| 12 | 532 08 13-28 | Bolt, Shoulder |
| 13 | 532 18 74-97 | Handle, Shift |
| 14 | 532 10 93-13 | Grommet, Rubber |
| 15 | 532 13 84-00 | Rod, Shift |
| 16 | 872 11 06-08 | Bolt, Carriage 3/8-16 x 1 Gr. 5 |
| 17 | 532 10 92-29 | Lock, Handle |
| 18 | 873 68 06-00 | Nut, Crownlock 3/8-16 unc |
| 19 | 819 13 16-11 | Washer 13/32 x 1 x 11 Ga. |
| 20 | 532 10 92-28 | Lever, Lock, Handle |

| KEY NO. | PART NO. | DESCRIPTION |
|---------|--------------|------------------------------------|
| 21 | 532 18 11-27 | Handle |
| 23 | 532 08 67-77 | Screw, Hex Washer SLT #10-24 x .50 |
| 24 | 532 00 94-84 | Clip |
| 26 | 532 15 96-07 | Cable, Clutch |
| 27 | 873 90 04-00 | Nut, Hex Flange 1/4-20 unc |
| 29 | 873 73 10-00 | Nut, Keps #10-24 unc |
| 30 | 532 10 41-64 | Tie, Cable |
| 31 | 532 15 06-96 | Bolt, Pivot |
| 32 | 532 13 82-83 | Lock, Handle |
| 33 | 872 14 04-04 | Bolt, Carriage 1/4-20 unc x 1/2 |
| 37 | 532 10 26-04 | Grip, Bar, Control |
| 41 | 532 10 27-44 | Clamp, Bar, Control |

NOTE: All component dimensions given in U.S. inches.
1 inch = 25.4 mm

REPAIR PARTS

TILLER - - MODEL NUMBER CRT81 (96091000300), PRODUCT NO. 954 17 00-54
MAINFRAME, LEFT SIDE



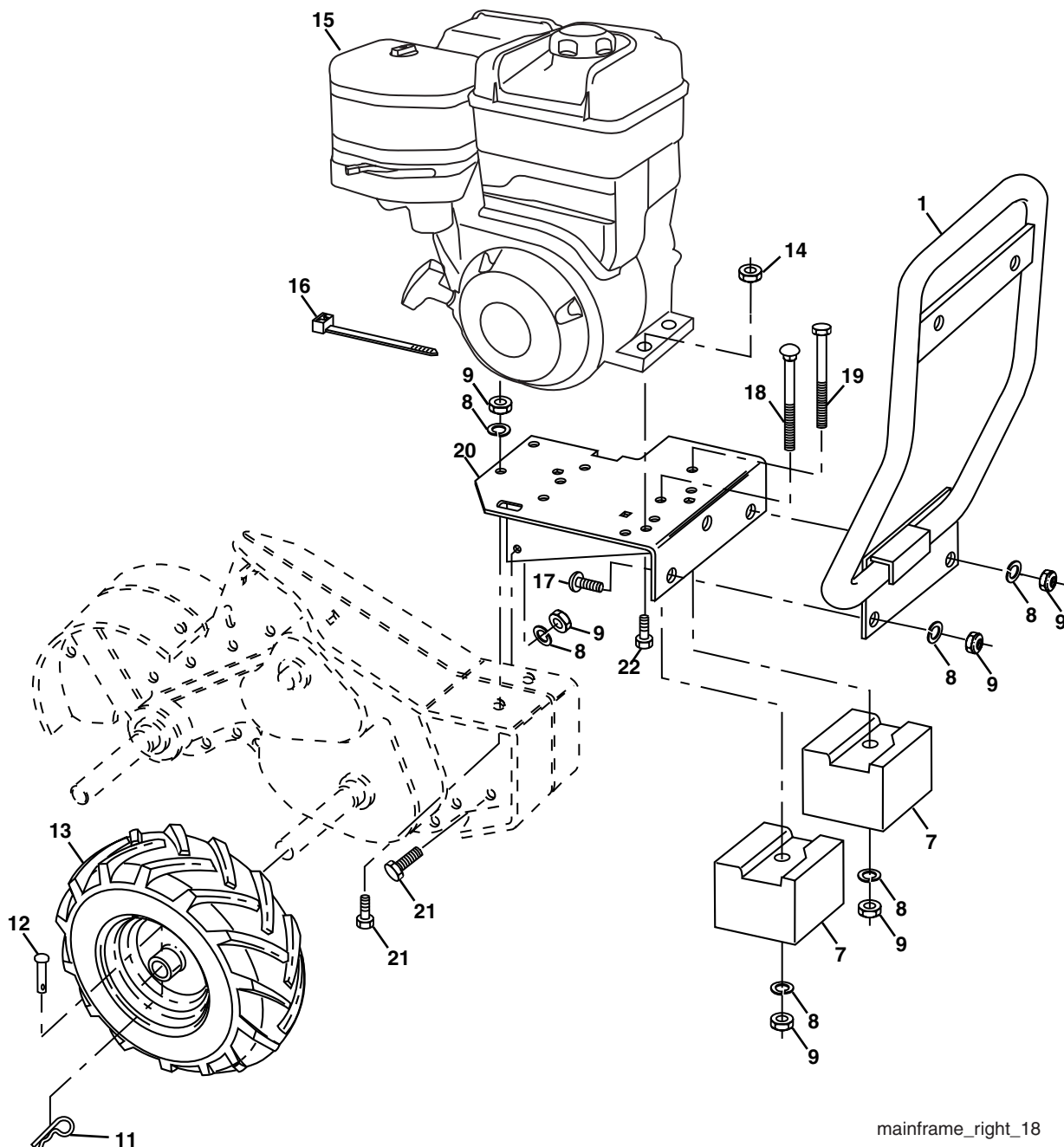
| KEY NO. | PART NO. | DESCRIPTION |
|---------|--------------|---|
| 2 | 810 04 06-00 | Washer, Lock 3/8 |
| 3 | 873 22 06-00 | Nut, Hex 3/8-16 |
| 4 | 532 18 00-46 | Shield, Inner Belt Guard RT |
| 5 | 532 16 43-29 | Pin Spirol Flared |
| 6 | 532 11 01-11 | Lever, Shift |
| 7 | 872 11 04-04 | Bolt, Carriage 1/4-20 x 1/2 Gr. 5 |
| 8 | 532 00 87-00 | Plate, Shift Indicator |
| 9 | 532 08 67-77 | Screw, Hex, Washer Head, Slotted #10-24 x 1/2 |
| 10 | 532 00 94-84 | Clip |
| 12 | 873 51 04-00 | Nut, Keps Hex 1/4-20 unc |
| 13 | 823 23 05-06 | Screw, Set, Hex 5/16-18 x 3/8 |
| 14 | 532 15 61-17 | Spacer, Split 0.327 x 0.42 x 1.220 |
| 15 | 819 11 11-16 | Washer 11/32 x 11/16 x 16 Ga. |
| 16 | 532 14 51-02 | Sheave, Transmission |
| 17 | 873 22 05-00 | Nut Hex 5/16-18 |
| 18 | 532 13 16-91 | Spacer Split |
| 19 | 812 00 00-28 | Ring, Retainer |
| 23 | 532 00 50-15 | Tire |
| | 532 00 50-14 | Rim |
| | 532 12 47-18 | Tire Valve |

| KEY NO. | PART NO. | DESCRIPTION |
|---------|--------------|----------------------------|
| 24 | 532 00 49-29 | Rivet, Drilled |
| 25 | 532 12 49-61 | Clip, Hairpin |
| 26 | 532 18 11-64 | Guard, Belt |
| 27 | 532 13 83-99 | Belt, V |
| 28 | 532 10 46-79 | Pulley, Idler |
| 29 | 812 00 00-32 | Ring, Klip |
| 30 | 532 15 92-29 | Bracket, Idler |
| 32 | 532 13 94-01 | Shaft, Idler Arm |
| 37 | 532 00 43-68 | Sheave, Engine |
| 39 | 532 14 00-62 | Cap Plunger |
| 42 | 532 10 61-60 | O-Ring |
| 47 | 532 00 49-14 | Key |
| 54 | 532 10 42-14 | Nut 5/16-18 |
| 62 | 874 93 05-72 | Bolt Hex 5/16-18 x 4-1/2 |
| 63 | 532 17 57-97 | Bracket Asm Guard |
| 64 | 874 77 05-08 | Bolt Fin 5/16-24 unf x 1/2 |

NOTE: All component dimensions given in U.S. inches.
1 inch = 25.4 mm

REPAIR PARTS

TILLER - - MODEL NUMBER CRT81 (96091000300), PRODUCT NO. 954 17 00-54
MAINFRAME, RIGHT SIDE



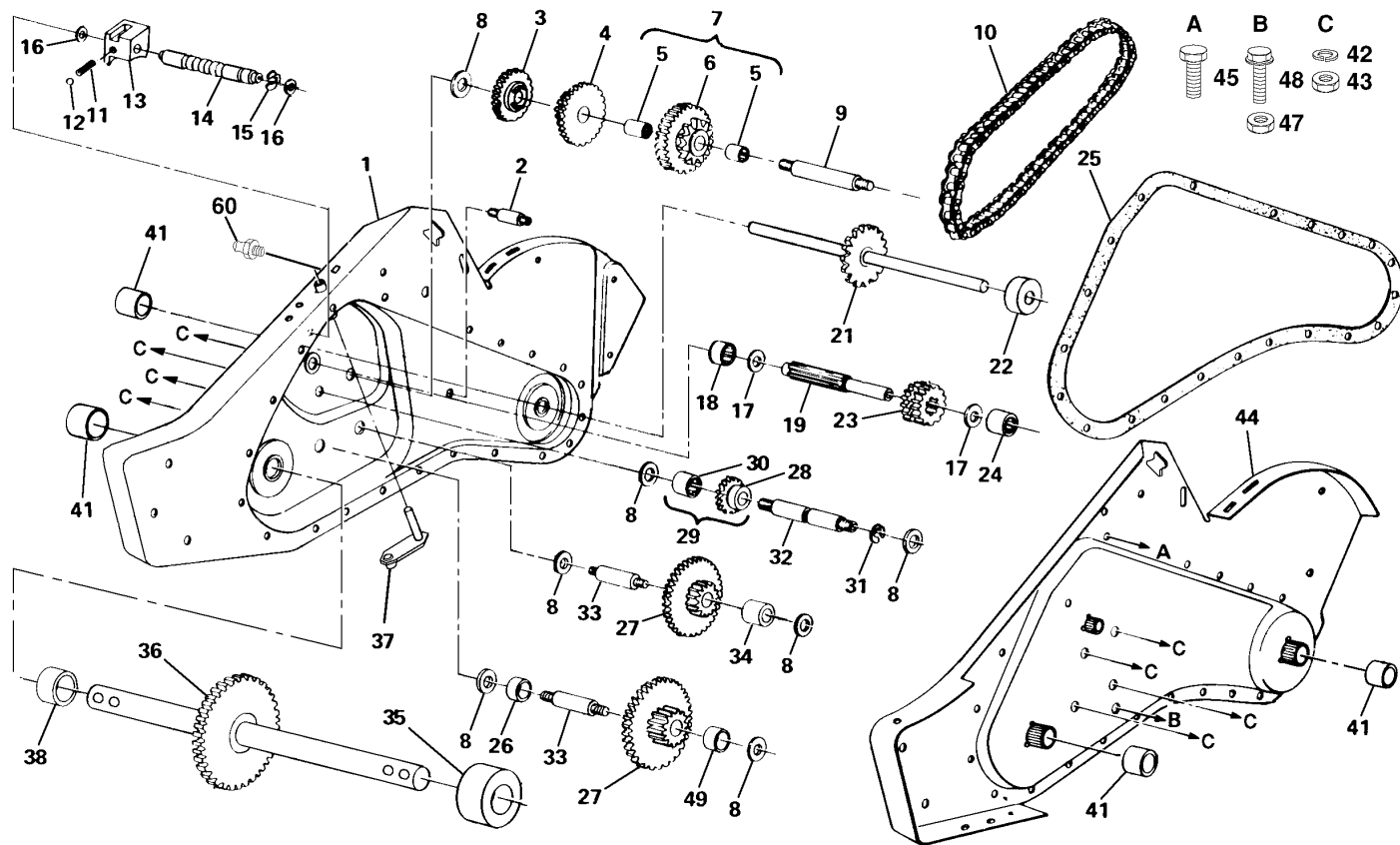
| KEY NO. | PART NO. | DESCRIPTION |
|---------|--------------|----------------------|
| 1 | 532 17 56-24 | Bumper |
| 7 | 532 18 02-75 | Counter Weight, R.H. |
| 8 | 810 04 06-00 | Washer, Lock 3/8 |
| 9 | 873 22 06-00 | Nut, Hex 3/8-16 |
| 11 | 532 12 49-61 | Clip, Hairpin |
| 12 | 532 00 49-29 | Rivet, Drilled |
| 13 | 532 00 50-15 | Tire |
| | 532 00 50-14 | Rim |
| | 532 12 47-18 | Tire Valve |
| 14 | 873 97 05-00 | Nut, Lock Hex Flange |

| KEY NO. | PART NO. | DESCRIPTION |
|---------|--------------|---|
| 15 | ----- | Engine, Briggs Model No. 202412 (Order parts from Engine Manufacturer) |
| 16 | 532 10 41-64 | Tie Cable |
| 17 | 872 14 06-08 | Bolt, Hex 5/16-18 x 1-1/2 |
| 18 | 872 47 06-36 | Bolt 3/8-16 x 4-1/2 |
| 19 | 874 76 06-72 | Bolt Hex 3/8-16 x 4-1/2 |
| 20 | 532 17 98-23 | Bracket, Reinforcement |
| 21 | 874 76 06-16 | Bolt, Hex 5/16-18 x 2 |
| 22 | 874 76 05-24 | Bolt Hex Hd 5/16-18 x 1-1/2 |

NOTE: All component dimensions given in U.S.inches.
1 inch = 25.4 mm

REPAIR PARTS

TILLER - - MODEL NUMBER CRT81 (96091000300), PRODUCT NO. 954 17 00-54
TRANSMISSION



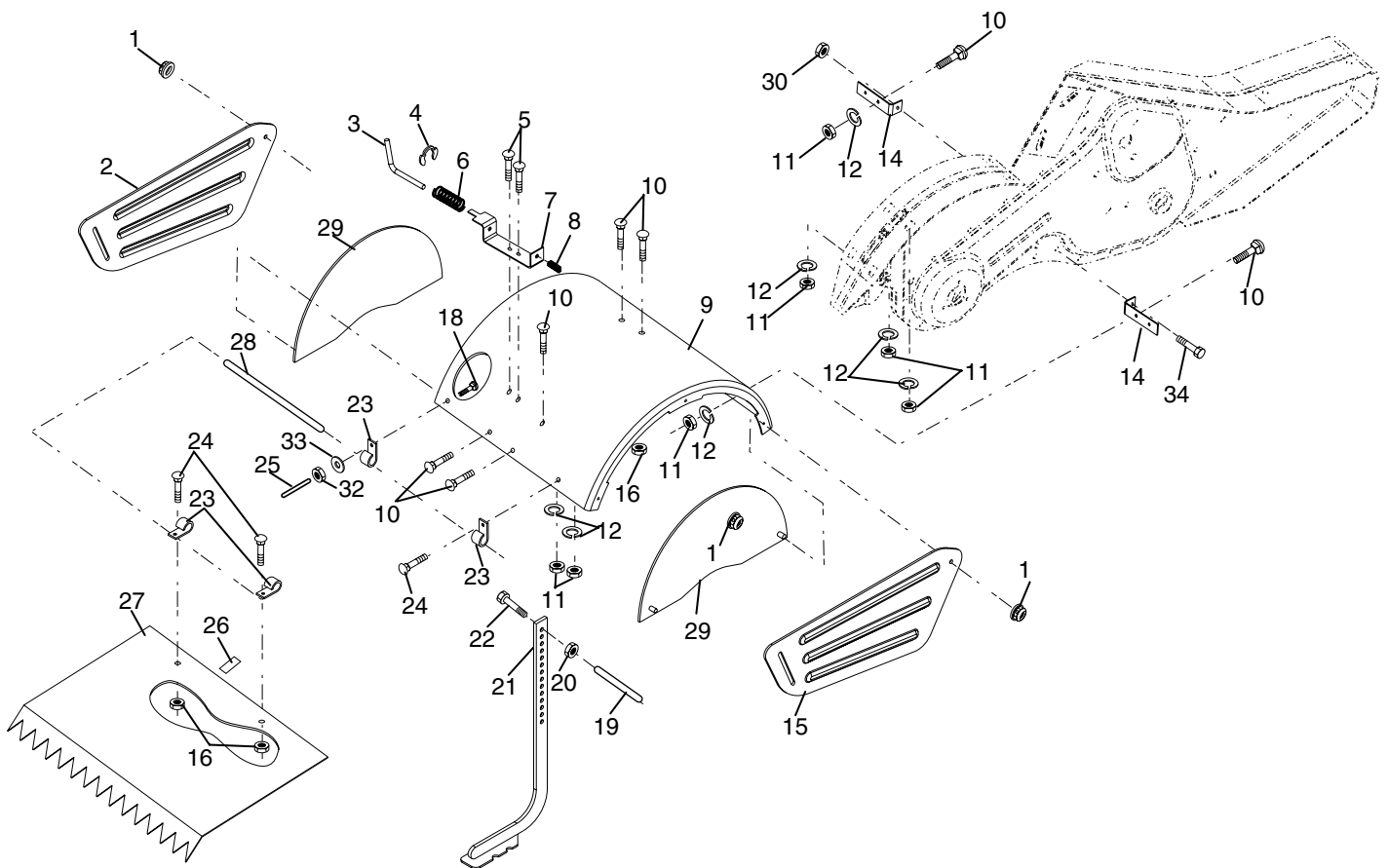
| KEY NO. | PART NO. | DESCRIPTION |
|---------|--------------|--|
| -- | 532 18 13-37 | Transmission Assembly |
| 1 | 532 18 13-32 | Gearcase, R.H. w/Bearing (Includes Key No. 18) |
| 2 | 532 18 13-62 | Spacer Gearcase |
| 3 | 532 17 50-35 | Gear Reverse |
| 4 | 532 10 53-45 | Gear, Cluster, Red 1st & 2nd |
| 5 | 532 10 04-13 | Bearing, Needle |
| 6 | 532 14 45-64 | Sprocket and Tine Assembly |
| 7 | 532 14 45-63 | Sprocket Assembly w/Bearing (Includes Key No. 5) |
| 8 | 532 00 43-58 | Washer |
| 9 | 532 00 83-58 | Shaft, Reduction (1st) |
| 10 | 532 00 83-71 | Chain, Roller |
| 11 | 532 10 03-71 | Spring, Shift, Fork |
| 12 | 532 12 46-97 | Ball, Steel |
| 13 | 532 00 83-53 | Fork, Shift |
| 14 | 532 17 53-72 | Shaft, Reduction |
| 15 | 812 00 00-39 | Ring, Klip |
| 16 | 532 15 44-67 | Washer, Seal |
| 17 | 532 00 13-70 | Washer, Thrust 5/8 ID |
| 18 | 532 12 47-92 | Bearing, Needle |
| 19 | 532 15 06-95 | Shaft Input |
| 21 | 532 10 53-78 | Tine Shaft Assembly |
| 22 | 532 10 61-81 | Spacer 1,008 x 1-3/4 x 0,645 |
| 23 | 532 17 50-31 | Pinion, Input |
| 24 | 532 00 50-20 | Bearing, Needle |
| 25 | 532 16 43-96 | Gasket, Gearcase |
| 26 | 532 10 63-89 | Spacer 0,765 I.D. x 1,12 x 5/8 |

| KEY NO. | PART NO. | DESCRIPTION |
|---------|--------------|---|
| 27 | 532 10 04-33 | Gear Cluster |
| 28 | 532 00 83-57 | Gear, Reverse Idler |
| 29 | 532 14 45-62 | Gear, Assembly, Reverse Idler (Includes Key Nos. 28 and 30) |
| 30 | 532 00 68-03 | Bearing, Needle |
| 31 | 812 00 00-40 | Ring, Klip |
| 32 | 532 00 83-56 | Shaft, Reverse Idler |
| 33 | 532 10 00-16 | Shaft, Reduction (2nd) |
| 34 | 532 10 63-92 | Spacer 0,765 I.D. x 1-1/8 x 1-3/8 |
| 35 | 532 10 63-94 | Spacer LH |
| 36 | 532 10 04-36 | Shaft Assembly |
| 37 | 532 14 21-45 | Bracket, Asm. |
| 38 | 532 10 63-93 | Spacer RH |
| 41 | 532 15 52-36 | Seal, Asm Oil |
| 42 | 810 04 07-00 | Push Nut 7/16 |
| 43 | 873 61 07-00 | Nut, Hex 7/16-20 |
| 44 | 532 18 13-23 | Gearcase, L.H. w/Bearing (Includes Key No. 24) |
| 45 | 817 72 05-10 | Thread Cutting Screw 5/16-18 x 5/8 |
| 47 | 873 22 05-00 | Nut, Hex 5/16-18 |
| 48 | 532 10 01-07 | Screw 5/16-18 x 4 |
| 49 | 532 10 63-91 | Spacer 0.765 ID x 1.12 x 3/4 |
| 60 | 532 12 48-36 | Fitting, Grease |
| -- | 532 00 60-66 | Grease #1 |
| -- | 532 16 21-70 | Bearing Assembly |

NOTE: All component dimensions given in U.S. inches.
1 inch = 25.4 mm

REPAIR PARTS

TILLER - - MODEL NUMBER CRT81 (96091000300), PRODUCT NO. 954 17 00-54
TINE SHIELD



tine_shield_99_21_in

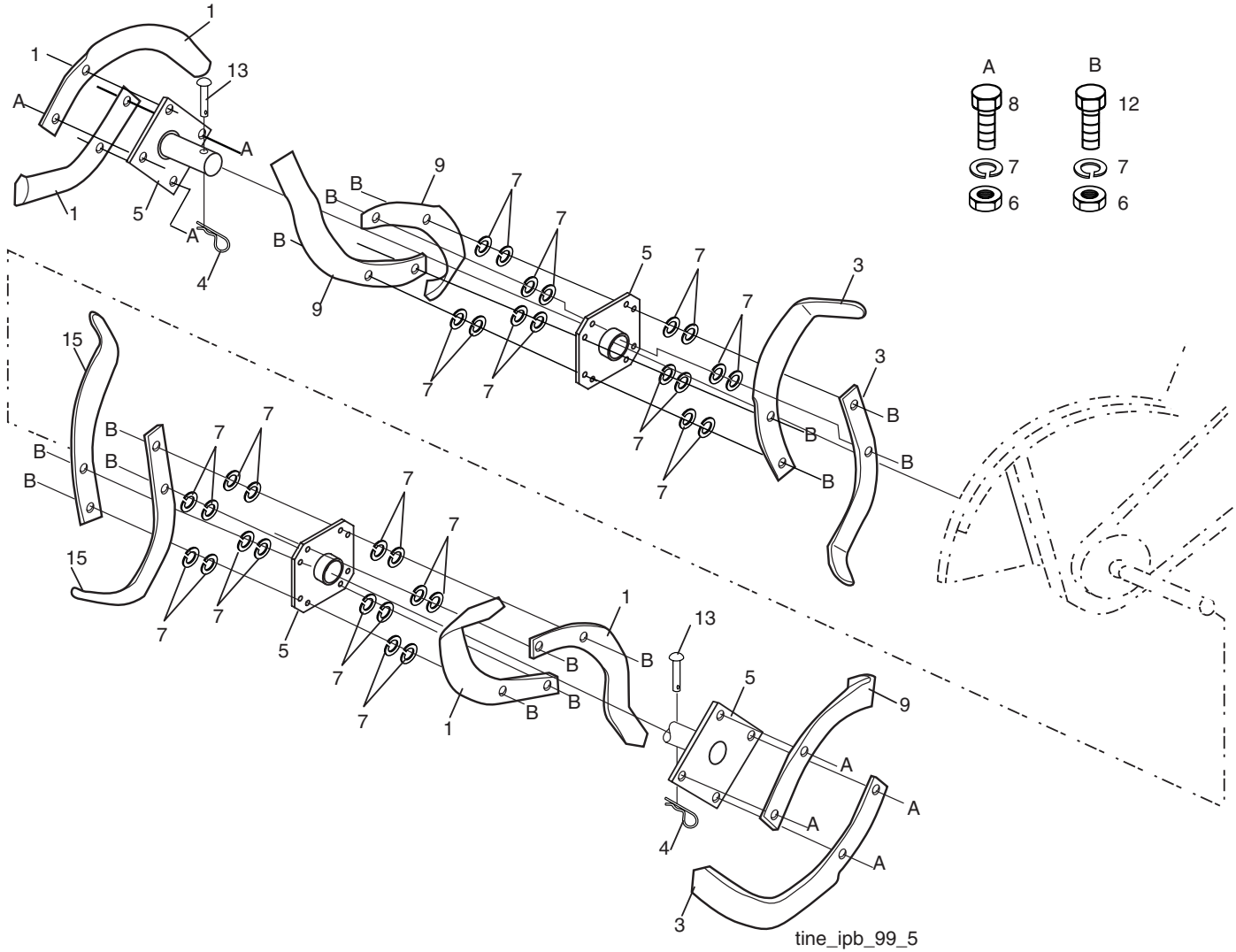
| KEY NO. | PART NO. | DESCRIPTION |
|---------|--------------|------------------------------------|
| 1 | 873 90 05-00 | Nut, Lock Hex Flange 5/16-18 |
| 2 | 532 16 35-60 | Shield, Side, Outer L. H. |
| 3 | 532 00 83-93 | Pin, Stake, Depth |
| 4 | 812 00 00-35 | Ring, Klip |
| 5 | 872 14 05-08 | Bolt, Carriage 5/16-18 unc x 1 |
| 6 | 532 00 83-94 | Spring |
| 7 | 532 00 83-92 | Bracket, Latch |
| 8 | 532 10 92-30 | Spring, Depth Stake |
| 9 | 532 17 16-16 | Shield, Tine |
| 10 | 532 18 08-47 | Bolt Rdhd Sqnk 5/16-18 x 3/4 ZNC |
| 11 | 873 22 05-00 | Nut, Hex 5/16-18 |
| 12 | 810 04 05-00 | Washer, Lock 5/16 |
| 14 | 532 12 43-43 | Bracket, Shield Tine |
| 15 | 532 16 35-61 | Shield, Side, Outer R.H. |
| 16 | 873 90 04-00 | Nut, Flange Hex 1/4-20 unc |
| 18 | 872 04 04-10 | Bolt, Carriage 1/4-20 x 1-1/4 r. 5 |
| 19 | 532 10 27-01 | Grip |

| KEY NO. | PART NO. | DESCRIPTION |
|---------|--------------|-----------------------------------|
| 20 | 873 22 06-00 | Nut, Hex 3/8-16 |
| 21 | 532 13 84-20 | Stake, Depth |
| 22 | 874 93 06-32 | Bolt, Hex 3/8-16 x 2 |
| 23 | 532 00 44-40 | Hinge |
| 24 | 872 14 04-04 | Bolt, Carriage 1/4-20 x 1/2 Gr. 5 |
| 25 | 532 12 47-17 | Cap, Vinyl |
| 26 | 532 10 92-27 | Pad, Idler |
| 27 | 532 14 55-20 | Shield, Leveling |
| 28 | 532 13 86-09 | Pin, Hinge |
| 29 | 532 14 55-21 | Shield, Side |
| 30 | 873 97 05-00 | Nut, Lock Hx Flange |
| 32 | 873 22 04-00 | Nut, Fin, Hex 1/4-20 unc |
| 33 | 810 04 04-00 | Washer, Lock Hvy Helical 1/4 |
| 34 | 874 49 05-36 | Bolt Hex Flghd 5/16-18 x 2-1/4 |

NOTE: All component dimensions given in U.S. inches.
1 inch = 25.4 mm

REPAIR PARTS

TILLER - - MODEL NUMBER CRT81 (96091000300), PRODUCT NO. 954 17 00-54
TINE ASSEMBLY



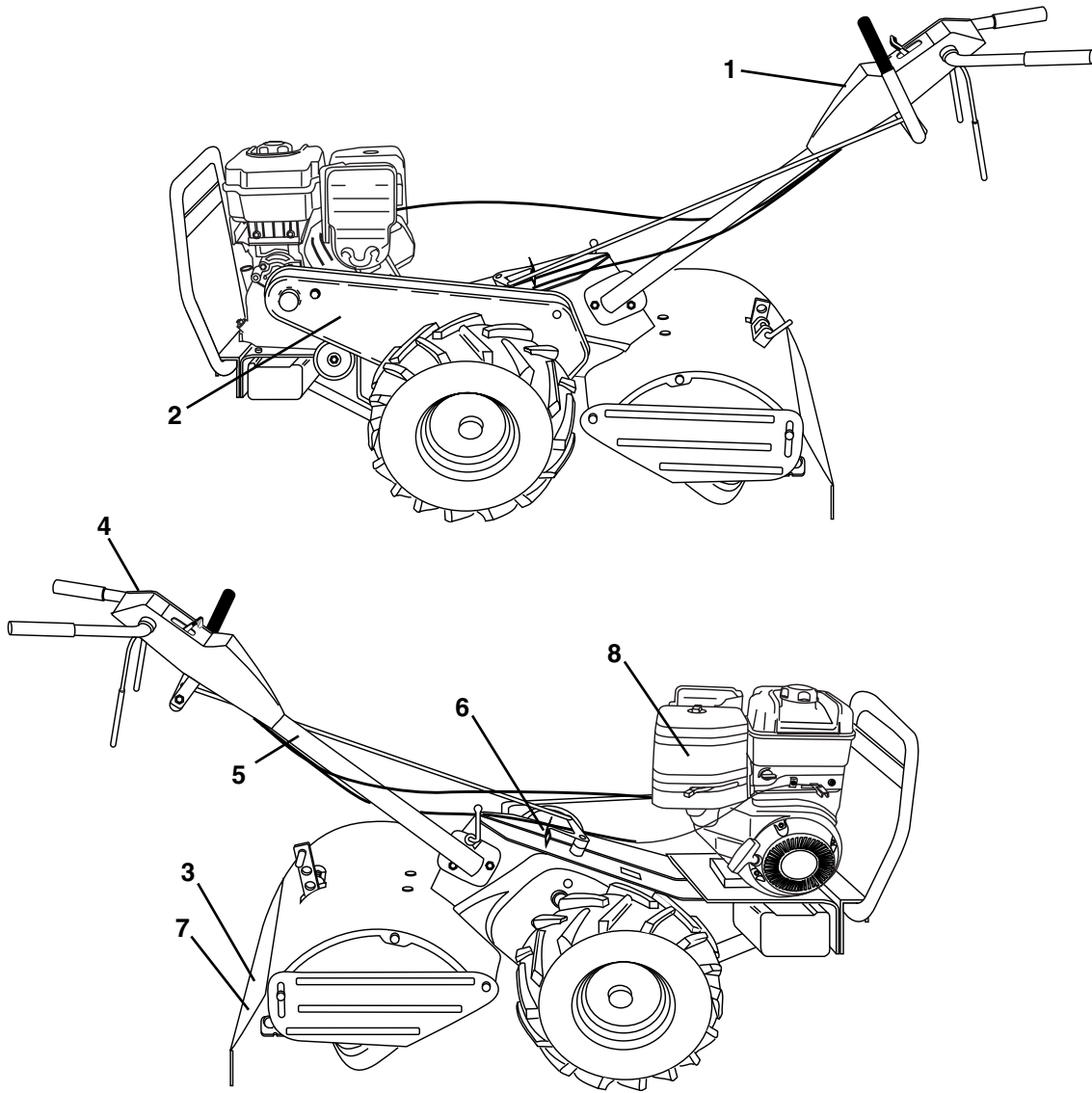
| KEY NO. | PART NO. | DESCRIPTION |
|---------|--------------|-------------------------|
| 1 | 532 00 65-56 | Tine, Outer, L.H. |
| 3 | 532 10 11-94 | Tine, Inner, L.H. |
| 4 | 532 12 46-60 | Retainer, Spring Zinc |
| 5 | 532 18 93-59 | Assembly, Hub and Plate |
| 6 | 873 61 06-00 | Nut, Hex 3/8-24 |
| 7 | 810 04 06-00 | Washer, Lock 3/8 |
| 8 | 874 61 06-16 | Bolt, Hex 3/8-24 x 1 |

| KEY NO. | PART NO. | DESCRIPTION |
|---------|--------------|-----------------------|
| 9 | 532 00 65-57 | Tine, Outer, R.H. |
| 12 | 874 61 06-24 | Bolt H 3/8-24 x 1-1/2 |
| 13 | 532 00 49-29 | Clevis Pin |
| 15 | 532 10 11-93 | Tine R.H. |

NOTE: All component dimensions given in U.S. inches.
1 inch = 25.4 mm

REPAIR PARTS

TILLER - - MODEL NUMBER CRT81 (96091000300), PRODUCT NO. 954 17 00-54
DECALS



| KEY NO. | PART NO. | DESCRIPTION |
|---------|--------------|-----------------------------|
| 1 | 532 18 90-18 | Decal, Logo |
| 2 | 532 18 91-13 | Decal, Logo |
| 3 | 532 14 54-37 | Decal, Europe Stand CE |
| 4 | 532 18 08-29 | Decal, Instruction, Tilling |
| 5 | 532 15 98-77 | Decal, Hand Placement |
| 6 | 532 13 85-46 | Decal, Shift Indicator |
| 7 | 532 17 65-57 | Decal, Warning, 4-Sym |
| 8 | 532 17 66-84 | Decal, Air Cleaner |